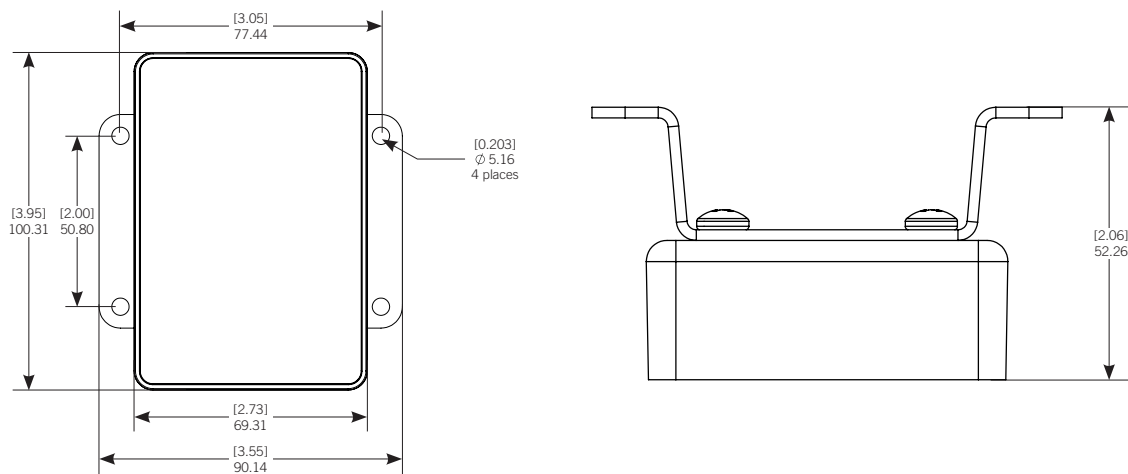
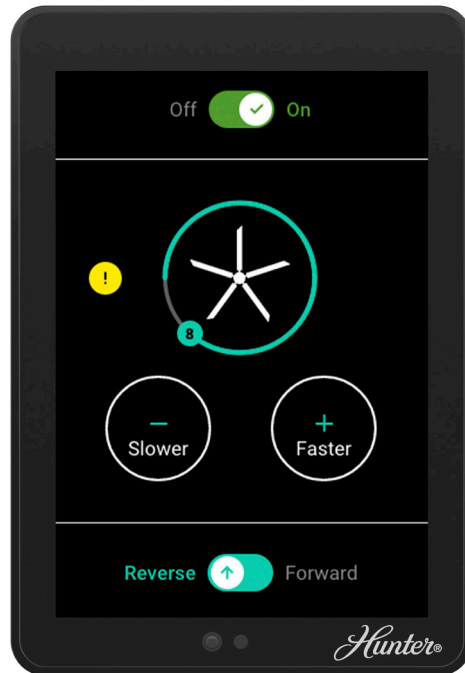


350 SERIES TOUCHSCREEN CONTROLLER



- Comes standard on XP and Eco Fans
- Simple control of speed and direction
- Can be daisy chained to control up to 5 fans
- 3.5" LCD Touchscreen
- Alert Readouts
- Plug-n-Play design
- Standard junction box
- Simple flush mounting